

PROFESSIONAL LIGHTING SUPPORTS

# MURARO

MADE IN ITALY



When you chose a **Muraro** stand you chose a product built with infinite care and created without compromising quality in any way.

This is why all our products have a 5 year guarantee for manufacturing flaws. We believe in our product, in its assembly, in the quality of its rigorously **100% Made in Italy** materials.

/ INDEX

6	AVAILABLE SPIGOT
8	STANDS CHART
11	HEAVY COMPACT STAND
17	COMPACT STAND
37	MEDIUM STAND
55	STRONG STAND
79	C-STAND
101	BOOM STAND
107	ACCESSORIES



**/AVAILABLE SPIGOT**

The spigot is the final part of the stand's vertical pole, where the light is fastened.  
Other stand producers make the spigot in brass, whereas Muraro's stands are made of zinc coated steel in order to guarantee a greater resistance.



**TYPE 1**

1/1/8" socket  
5/8" "pop-up" spigot



**TYPE 2**

5/8" spigot with 3/8"  
W top fixing



**TYPE 3**

5/8" spigot



**TYPE 4**

17,5 mm socket



**TYPE 4B**

17,5 mm socket



**TYPE 5**

M10 thread socket



**TYPE 6**

5/8" long spigot



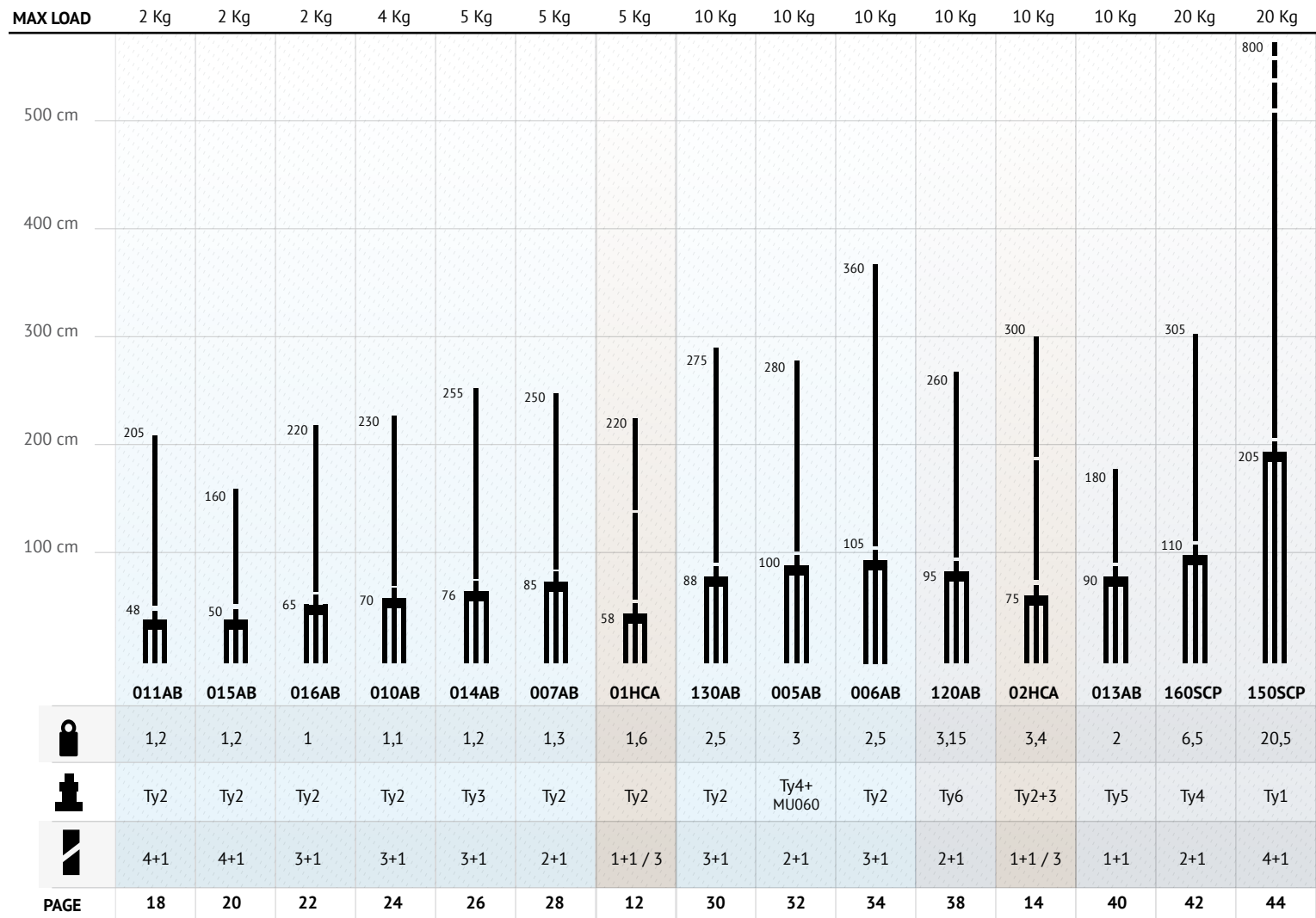
**TYPE 7**

1 1/8" fixed socket +  
1 1/8" rotating socket

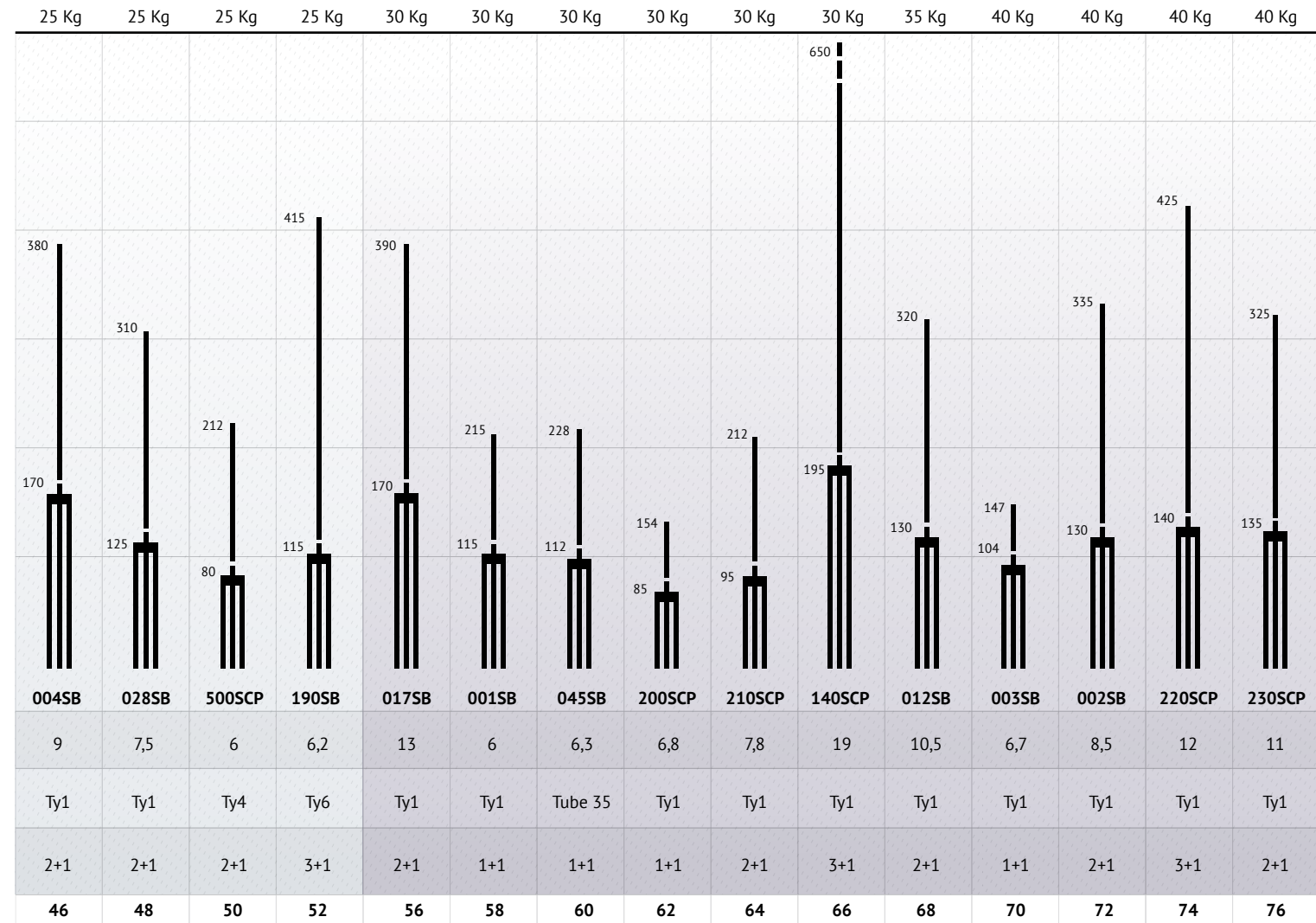


**TYPE 8**

5/8" socket



COMPACT STAND
 HEAVY COMPACT STAND
 MEDIUM STAND
 STRONG STAND



# HEAVY COMPACT /STAND

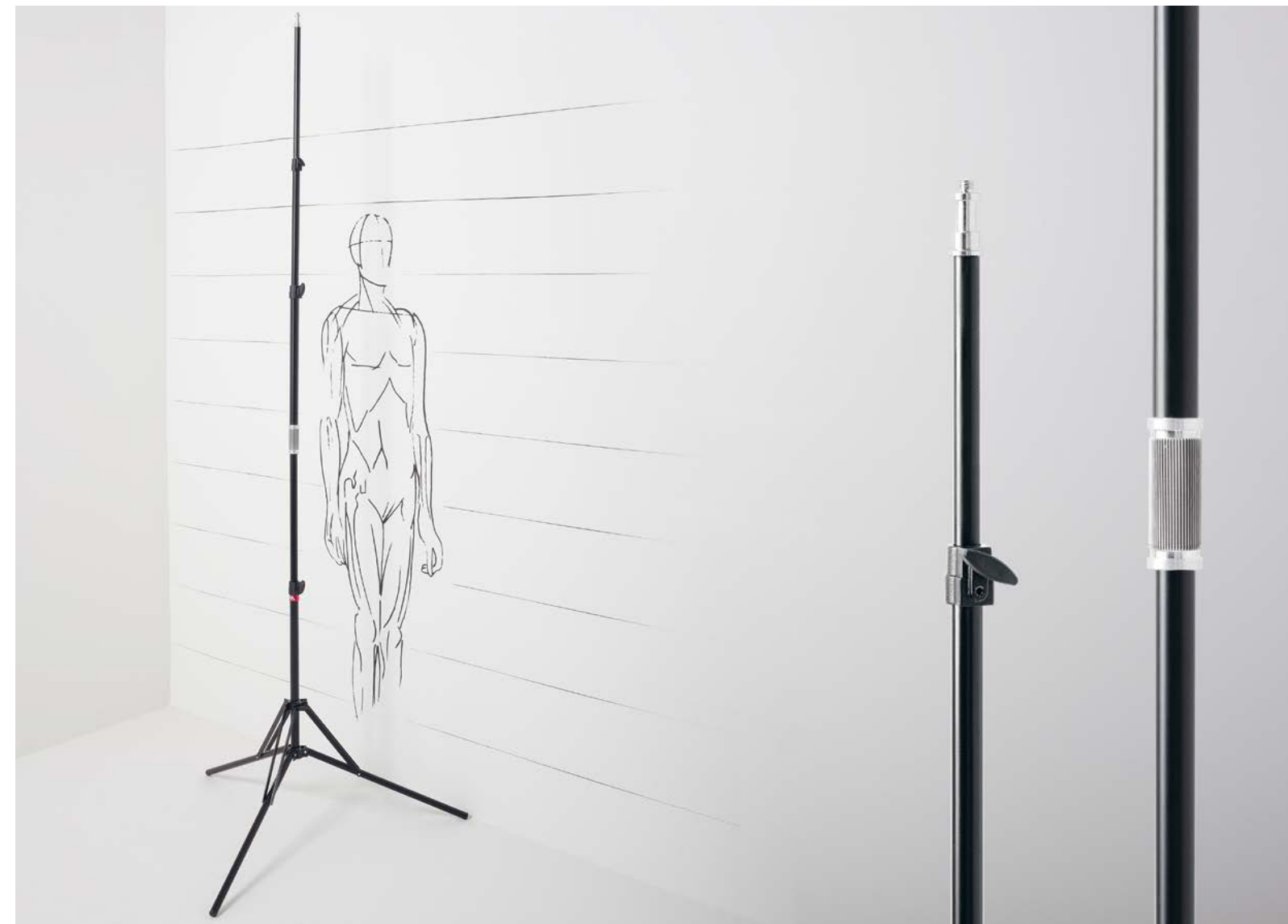
Compact and extremely resistant stands created to hold a weight up to **3 times** higher than a stand of similar compactness and reaching up to **30% higher**. Ideal for on location services for photography as well as for holding small Broadcast lighting.

A unique stand: 220 cm when extended  
with a load of 5 kg, closed only 58 cm.  
The most compact stand in location

/HEAVY COMPACT STAND

**MU01HCA** – HEAVY COMPACT SMALL STAND

Version	MU01HCA
Closed length	58 cm
Minimum height	60 cm
Maximum height	220 cm
Maximum load	5 Kg
Weight	1.6 Kg
Material	aluminium
Finish	black
Section / riser	2   1 - 3   2
Section ø	25.4   22 mm - 25.4   22   18 mm
Leg shape	ø 20 mm
Footprint diameter	115 cm
Leveling leg	no
Spigot type	Type 2
Wheels	not available
Air cushioned	not available

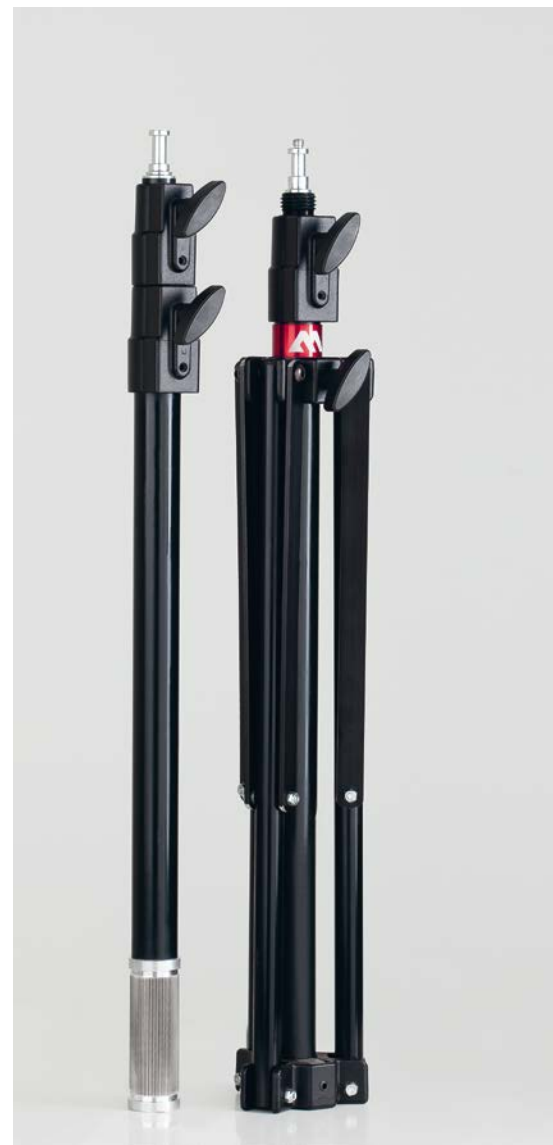


Over 3 m height with a load of 10 Kg,  
only 75 cm when closed.

/HEAVY COMPACT STAND

**MU02HCA** – HEAVY COMPACT MEDIUM STAND

Version	MU02HCA
Closed length	75 cm
Minimum height	80 cm
Maximum height	300 cm
Maximum load	10 Kg
Weight	3.4 Kg
Material	aluminium
Finish	black
Section / riser	2   1 - 3   2
Section ø	35   30 mm - 35   30   25.4 mm
Leg shape	ø 22 mm
Footprint diameter	120 cm
Leveling leg	no
Spigot type	Type 2 + 3
Wheels	not available
Air cushioned	not available





# COMPACT /STAND

Compact and light stands for contained loads and maximum freedom of movement.  
The range includes stands from 160 cm to 280 cm, holding loads from 2 kg to 10 kg, all made in electro-welded aluminium 5086. For this category the pole is made of tubes of 35 mm or 25 mm.

Very compact stand, unique for Hot Shoe Flashes

/COMPACT STAND  
**MU011 – MINI TRAVEL STAND**

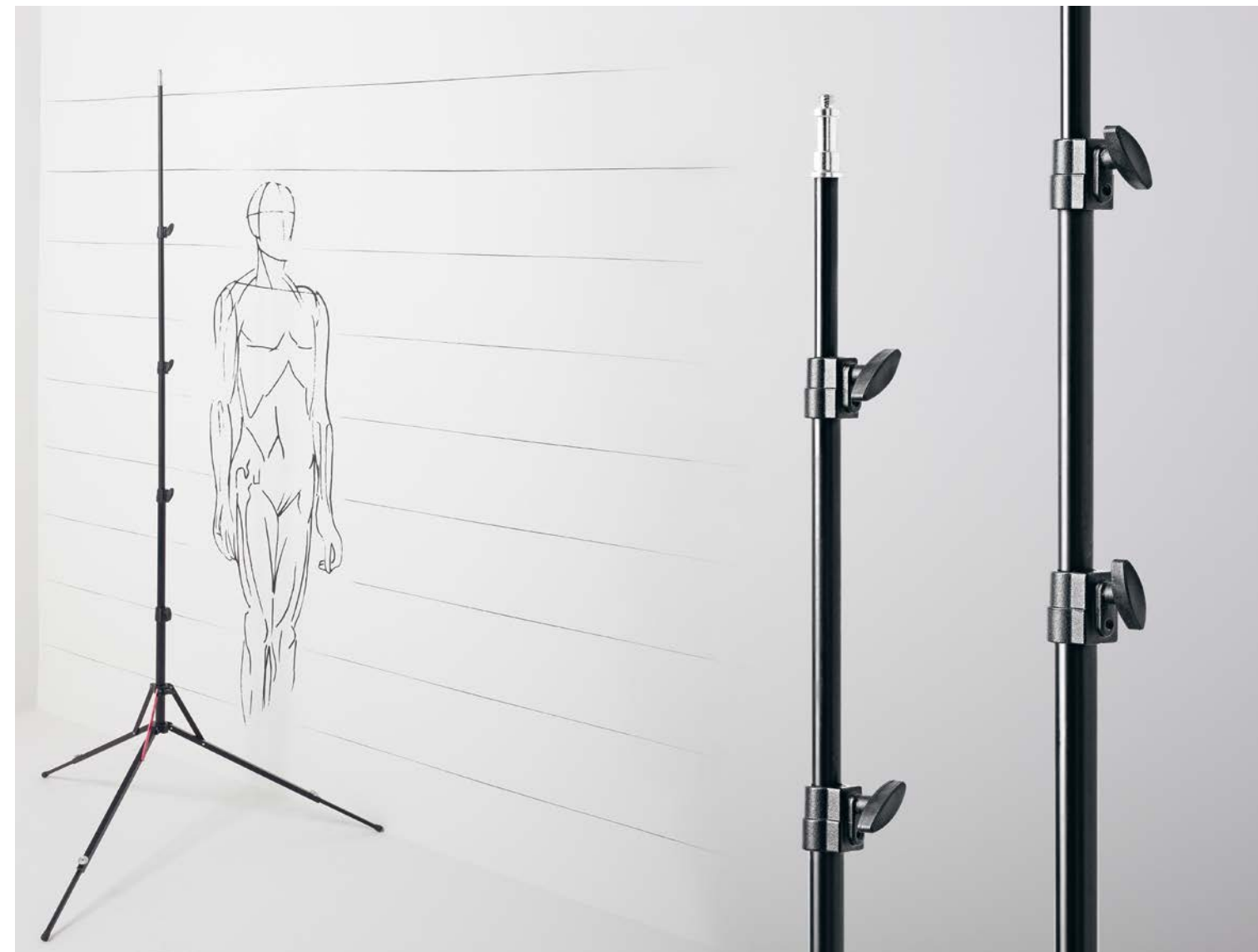
Version	MU011AB
Closed length	48 cm
Minimum height	74 cm
Maximum height	205 cm
Maximum load	2 Kg
Weight	1.2 Kg
Material	aluminium
Finish	black
Section / riser	5   4
Section ø	25.4   22   18   15   12 mm
Leg shape	flat 15x5 mm
Footprint diameter	88 cm
Leveling leg	no
Spigot type	Type 2
Wheels	not available
Air cushioned	not available



Very compact stand, unique for Hot Shoe Flashes.  
 Three extra leveling legs  
 will give the stand exceptional stability

/COMPACT STAND  
**MU015 – MINI TRAVEL TELESCOPIC LEG STAND**

Version	MU015AB
Closed length	50 cm
Minimum height	70 cm
Maximum height	160 cm
Maximum load	2 Kg
Weight	1.2 Kg
Material	aluminium
Finish	black
Section / riser	5   4
Section ø	25.4   22   18   15   12 mm
Leg shape	15x15 mm
Footprint diameter	min 100 cm   max 130 cm
Leveling leg	yes
Spigot type	Type 2
Wheels	not available
Air cushioned	not available



Light, compact, strong due to its diameter 20 mm legs

/COMPACT STAND  
**MU016 – MINI STAND**

Version	MU016AB
Closed length	65 cm
Minimum height	70 cm
Maximum height	220 cm
Maximum load	2 Kg
Weight	1 Kg
Material	aluminium
Finish	black
Section / riser	4   3
Section ø	25.4   22   18   15 mm
Leg shape	ø 20 mm
Footprint diameter	90 cm
Leveling leg	no
Spigot type	Type 2
Wheels	not available
Air cushioned	not available



Compact and stable, perfect for lighting kit

/COMPACT STAND

**MU010** – MINI COMPACT STAND

Version	MU010AB	MU010A	MU010SB
Closed length	70 cm		
Minimum height	80 cm		
Maximum height	230 cm		
Maximum load	4 Kg		7 Kg
Weight	1.1 Kg		2.1 Kg
Material	aluminium		steel
Finish	black	silver	black
Section / riser	3   4		
Section ø	25.4   22   18   15 mm		25   22   18   15 mm
Leg shape	ø 20 mm		
Footprint diameter	95 cm		
Leveling leg	no		
Spigot type	Type 2		
Wheels	available		
Air cushioned	available		



This stand shows a perfect compromise  
between strongness and travelling attitude,  
the perfect answer for the professional market

/COMPACT STAND  
**MU014** – MAX COMPACT STAND

Version	MU014AB	MU014A
Closed length	76 cm	
Minimum height	90 cm	
Maximum height	255 cm	
Maximum load	5 Kg	
Weight	1.2 Kg	
Material	aluminium	
Finish	black	silver
Section / riser	4   3	
Section ø	25.4   22   18   15 mm	
Leg shape	ø 20 mm	
Footprint diameter	106 cm	
Leveling leg	no	
Spigot type	Type 3	
Wheels	not available	
Air cushioned	not available	



Strong and reliable stand  
with a good load capacity and low weight

/COMPACT STAND  
**MU007 – COMPACT STAND**

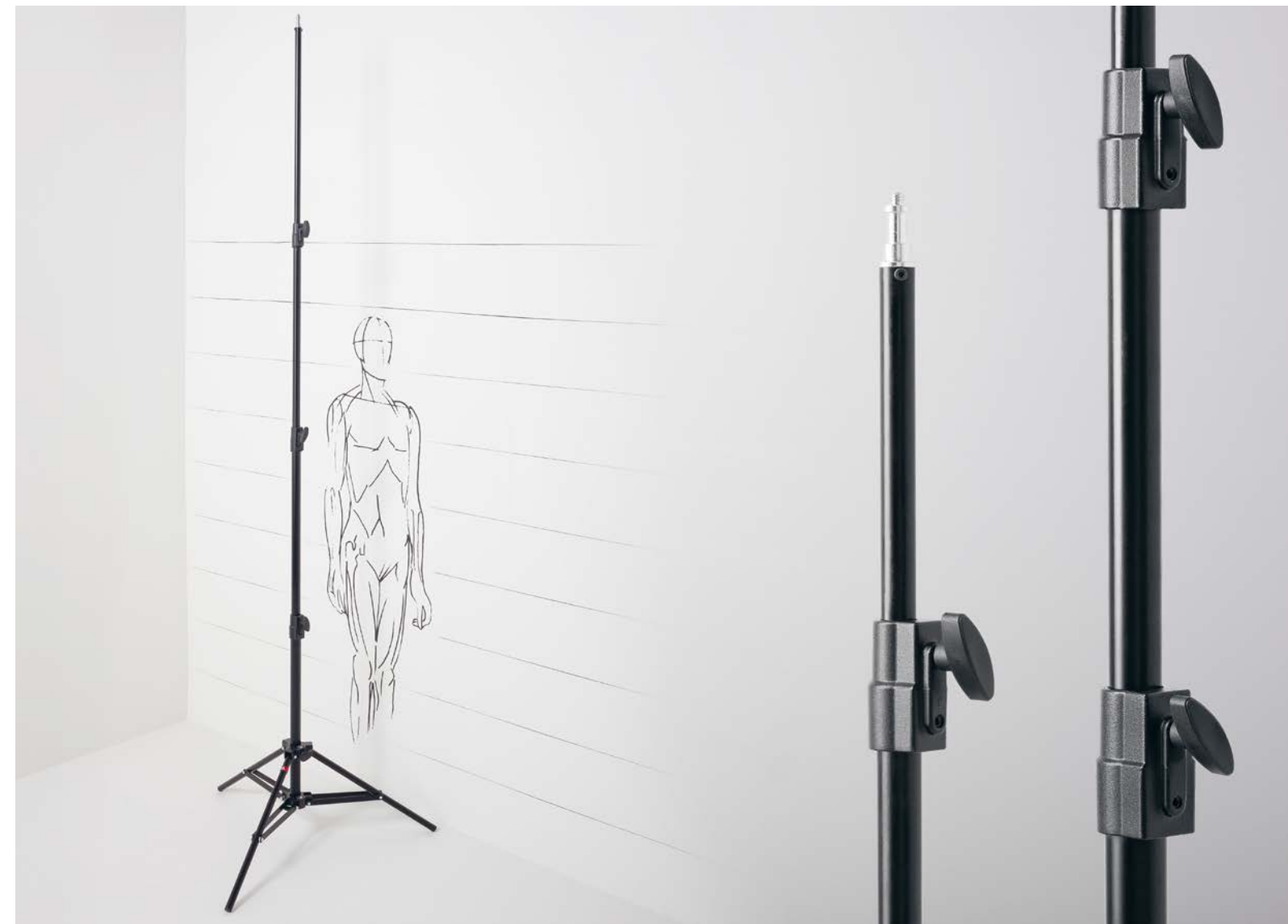
Version	MU007AB	MU007A
Closed length	85 cm	
Minimum height	105 cm	
Maximum height	250 cm	
Maximum load	5 Kg	
Weight	1.3 Kg	
Material	aluminium	
Finish	black	silver
Section / riser	3   2	
Section ø	25.4   22   18 mm	
Leg shape	ø 20 mm	
Footprint diameter	110 cm	
Leveling leg	no	
Spigot type	Type 2	
Wheels	available	
Air cushioned	available	



A very compact baby stand

/COMPACT STAND  
**MU 130 – MIDDLE STAND**

Version	MU130AB
Closed length	88 cm
Minimum height	100 cm
Maximum height	275 cm
Maximum load	10 Kg
Weight	2.6 Kg
Material	aluminium
Finish	black
Section / riser	4   3
Section ø	35   30   25.4   20 mm
Leg shape	ø 22 mm
Footprint diameter	100 cm
Leveling leg	no
Spigot type	Type 2
Wheels	not available
Air cushioned	not available

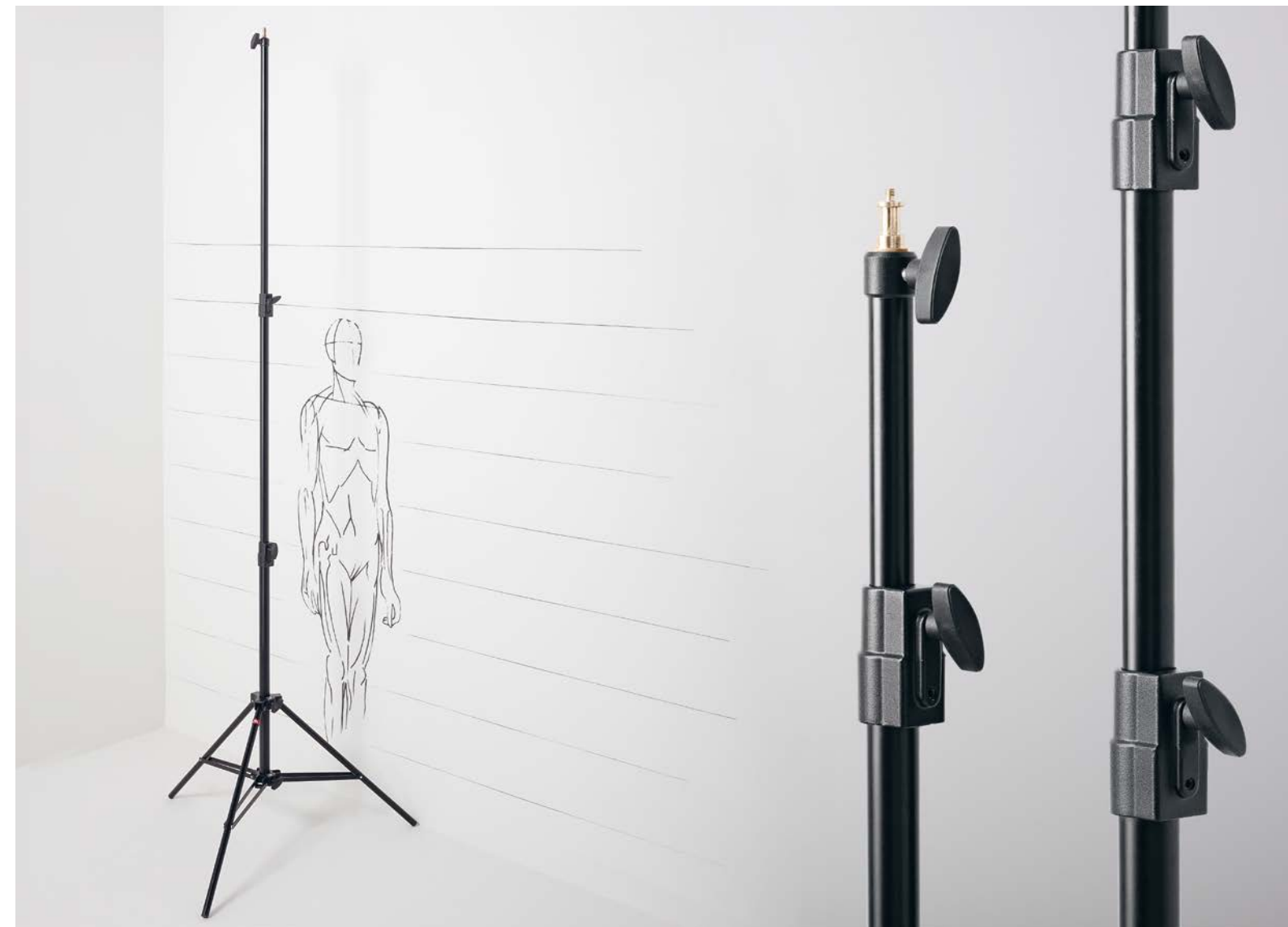




Strong and stable stand, a simple solution  
for large lighting within 2,8 m height

/COMPACT STAND  
**MU005** – RANKER STAND

Version	MU005AB	MU005A	MU005SB	MU005SCP
Closed length	100 cm			
Minimum height	115 cm			
Maximum height	280 cm			
Maximum load	10 Kg		15 Kg	
Weight	3 Kg		4,5 Kg	
Material	aluminium		steel	
Finish	black	silver	black	chrome
Section / riser	3   2			
Section ø	35   30   25.4 mm		35   30   25 mm	
Leg shape	ø 22 mm			
Footprint diameter	110 cm			
Leveling leg	no			
Spigot type	Type 4			
Wheels	available			
Air cushioned	available			



Strong and stable stand to support wide size lighting at 3,6 m height

/COMPACT STAND  
**MU006** – MASTER STAND

Version	MU006AB	MU006A	MU006SB	MU006SCP
Closed length	105 cm			
Minimum height	125 cm			
Maximum height	360 cm			
Maximum load	10 Kg		15 Kg	
Weight	2.5 Kg		4.5 Kg	
Material	aluminium		steel	
Finish	black	silver	black	chrome
Section / riser	4   3			
Section ø	35   30   25.4   20 mm		35   30   25   20 mm	
Leg shape	ø 22 mm			
Footprint diameter	110 cm			
Leveling leg	no			
Spigot type	Type 2			
Wheels	available			
Air cushioned	available			



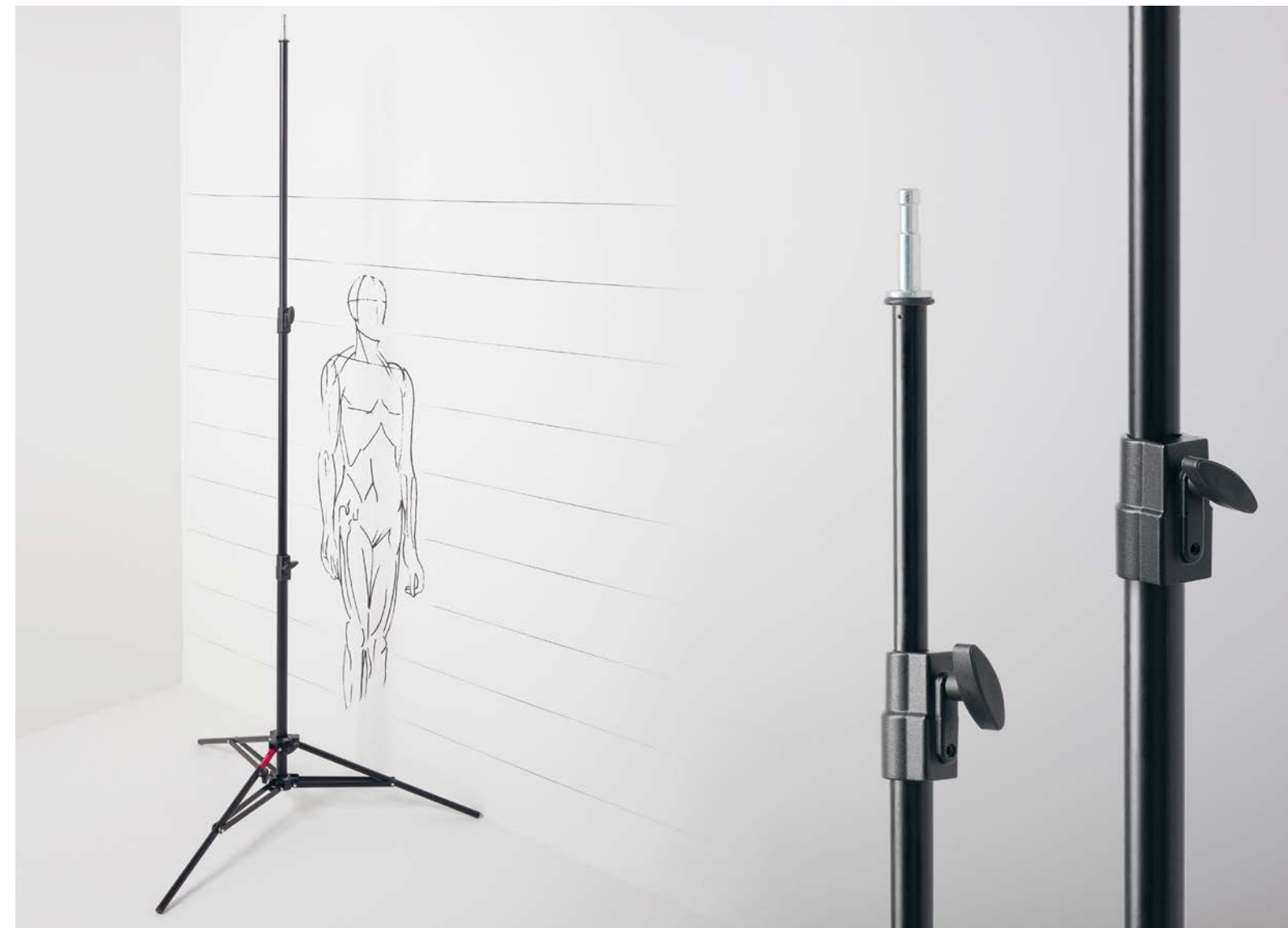
# MEDIUM /STAND

Stands capable of holding loads between 11 kg and 30 kg. Heights variable from 1.8 m up to the 8 metres of the MU150 model. For this category poles of 35 mm or 50 mm are used.

A baby stand with a wide base,  
set up for the film lighting request

/MEDIUM STAND  
**MU 120 - BABY STAND**

Version	MU120AB
Closed length	95 cm
Minimum height	105 cm
Maximum height	260 cm
Maximum load	10 Kg
Weight	3.15 Kg
Material	aluminium
Finish	black
Section / riser	3   2
Section ø	35   30   25.4 mm
Leg shape	ø 22 mm
Footprint diameter	130 cm
Leveling leg	yes
Spigot type	Type 6
Wheels	available
Air cushioned	available



This stand is to be used in theatre or entertainment set,  
designed for small compact light

/MEDIUM STAND  
**MU013 - SMALL STAND**

Version	MU013AB
Closed length	90 cm
Minimum height	105 cm
Maximum height	180 cm
Maximum load	10 Kg
Weight	2 Kg
Material	aluminium
Finish	black
Section / riser	2   1
Section ø	35   30 mm
Leg shape	ø 22 mm
Footprint diameter	110 cm
Leveling leg	no
Spigot type	Type 5
Wheels	not available
Air cushioned	not available



Muraro ranker stand, first choice for rental companies

/MEDIUM STAND  
**MU160 – SUPER RANKER STAND**

Version	MU160SCP	MU160X
Closed length	110 cm	
Minimum height	130 cm	
Maximum height	305 cm	
Maximum load	20 Kg	
Weight	6,5 Kg	
Material	steel	stainless steel
Finish	chrome	stainless steel
Section / riser	3   2	
Section ø	35   30   25 mm	
Leg shape	ø 22 mm	
Footprint diameter	120 cm	
Leveling leg	yes	
Spigot type	Type 4	
Wheels	available	
Air cushioned	available	



The highest stand in the range,  
an overhead stand that can reach 8 m safely.

/MEDIUM STAND  
**MU 150** – SUPER HIGH OVERHEAD STAND

Version	MU150SB	MU150SCP
Closed length	205 cm	
Minimum height	195 cm	
Maximum height	800 cm	
Maximum load	20 Kg	
Weight	20.5 Kg	
Material	steel	
Finish	black	chrome
Section / riser	5   4	
Section ø	50   45   40   35   30 mm	
Leg shape	30x30 mm	
Footprint diameter	200 cm	
Leveling leg	yes	
Spigot type	Type 1	
Wheels	available	
Air cushioned	available	



3.8 m stand, height and stability

/MEDIUM STAND  
**MU004** – TALL STAND

Version	MU004AB	MU004A	MU004SB	MU004SCP
Closed length	170 cm			
Minimum height	160 cm			
Maximum height	380 cm			
Maximum load	15 Kg		25 Kg	
Weight	6 Kg		9 Kg	
Material	aluminium		steel	
Finish	black	silver	black	chrome
Section / riser	3   2			
Section ø	35   30   25.4 mm		35   30   25 mm	
Leg shape	ø 22 mm			
Footprint diameter	110 cm			
Leveling leg	yes			
Spigot type	Type 1			
Wheels	available			
Air cushioned	available			





Senior stand, double riser, four versions available

/MEDIUM STAND  
**MU028** – DIGITAL STAND

Version	MU028AB	MU028A	MU028SB	MU028SCP
Closed length	125 cm			
Minimum height	140 cm			
Maximum height	310 cm			
Maximum load	11 Kg		25 Kg	
Weight	3 Kg		7.5 Kg	
Material	aluminium		steel	
Finish	black	silver	black	chrome
Section / riser	3   2			
Section ø	35   30   25.4 mm		35   30   25 mm	
Leg shape	ø 22 mm			
Footprint diameter	120 cm			
Leveling leg	yes			
Spigot type	Type 1			
Wheels	available			
Air cushioned	available			



Compact and strong

/MEDIUM STAND  
**MU500** – SMALL COMPASSO STAND

Version	MU500SB	MU500SCP
Closed length	80 cm	
Minimum height	92 cm	
Maximum height	212 cm	
Maximum load	25 Kg	
Weight	6 Kg	
Material	steel	
Finish	black	chrome
Section / riser	3   2	
Section ø	35   30   25 mm	
Leg shape	22x22 mm	
Footprint diameter	90 cm	
Leveling leg	no	
Spigot type	Type 4	
Wheels	available	
Air cushioned	available	



## A four section steel black baby stand

/MEDIUM STAND  
**MU190 – HIGH MASTER STAND**

Version	MU190SB
Closed length	115 cm
Minimum height	132 cm
Maximum height	415 cm
Maximum load	25 Kg
Weight	6.2 Kg
Material	steel
Finish	black
Section / riser	4   3
Section ø	35   30   25   20 mm
Leg shape	22x22 mm
Footprint diameter	130 cm
Leveling leg	yes
Spigot type	Type 6
Wheels	not available
Air cushioned	not available



# STRONG /STAND

Stands with the highest load capacity, holding weights of up to 40 kg. Stands in this category are built to resist intensive use, guaranteeing the product's durability. Poles of diameter 50 mm.

A valid alternative to the wind up stand

/STRONG STAND  
**MU017 - SUPER TALL STAND**

Version	MU017SB	MU017SCP
Closed length	170 cm	
Minimum height	160 cm	
Maximum height	390 cm	
Maximum load	30 Kg	
Weight	13 Kg	
Material	steel	
Finish	black	chrome
Section / riser	3   2	
Section ø	50   45   40 mm	
Leg shape	30x30 mm	
Footprint diameter	110 cm	
Leveling leg	yes	
Spigot type	Type 1	
Wheels	available	
Air cushioned	available	



Cine stand, single raise, four versions available

/STRONG STAND  
**MU001 - CINE STAND**

Version	MU001AB	MU001A	MU001SB	MU001SCP
Closed length	115 cm			
Minimum height	130 cm			
Maximum height	215 cm			
Maximum load	14 Kg		30 Kg	
Weight	4 Kg		6 Kg	
Material	aluminium		steel	
Finish	black	silver	black	chrome
Section / riser	2   1			
Section ø	35   30 mm			
Leg shape	ø 22 mm			
Footprint diameter	120 cm			
Leveling leg	yes			
Spigot type	Type 1			
Wheels	available			
Air cushioned	available			



## Audio stand: a simple solution for your loudspeakers

### /STRONG STAND MU045 - SPEAKER STAND

Version	MU045SB
Closed length	112 cm
Minimum height	133 cm
Maximum height	228 cm
Maximum load	30 Kg
Weight	6.3 Kg
Material	steel
Finish	black
Section / riser	2   1
Section ø	40   35 mm
Leg shape	22x22 mm
Footprint diameter	130 cm
Leveling leg	yes
Spigot type	Type /
Wheels	not available
Air cushioned	not available



## A single riser low boy stand

/STRONG STAND

### MU200 – SINGLE RISER LOW COMBO STAND

Version	MU200AB	MU200SB	MU200SCP
Closed length	85 cm		
Minimum height	90 cm		
Maximum height	154 cm		
Maximum load	20 Kg	30 Kg	
Weight	5 Kg	6.8 Kg	
Material	aluminium	steel	
Finish	black		chrome
Section / riser	2   1		
Section ø	50   45 mm		
Leg shape	30x30 mm		
Footprint diameter	100 cm		
Leveling leg	yes		
Spigot type	Type 1		
Wheels	available		
Air cushioned	available		





## A double riser low boy stand

/STRONG STAND

### MU210 – DOUBLE RISER LOW COMBO STAND

Version	MU210AB	MU210SB	MU210SCP
Closed length	95 cm		
Minimum height	100 cm		
Maximum height	212 cm		
Maximum load	20 Kg	30 Kg	
Weight	6 Kg	7.8 Kg	
Material	aluminium	steel	
Finish	black		chrome
Section / riser	3   2		
Section ø	50   45   40 mm		
Leg shape	30x30 mm		
Footprint diameter	100 cm		
Leveling leg	yes		
Spigot type	Type 1		
Wheels	available		
Air cushioned	available		



A four section overhead stand, two versions available.  
Extra wide base to achieve a great stability

/STRONG STAND  
MU140 - SUPER HIGH STAND

Version	MU140SB	MU140SCP
Closed length	195 cm	
Minimum height	180 cm	
Maximum height	650 cm	
Maximum load	30 Kg	
Weight	19 Kg	
Material	steel	
Finish	black	chrome
Section / riser	4   3	
Section ø	50   45   40   35 mm	
Leg shape	30x30 mm	
Footprint diameter	200 cm	
Leveling leg	yes	
Spigot type	Type 1	
Wheels	available	
Air cushioned	available	



Designed for entertainment and theatrical light set

/STRONG STAND  
**MU012 – SUPER STAND**

Version	MU012SB	MU012SCP
Closed length	130 cm	
Minimum height	150 cm	
Maximum height	320 cm	
Maximum load	35 Kg	
Weight	10.5 Kg	
Material	steel	
Finish	black	chrome
Section / riser	3   2	
Section ø	50   45   40 mm	
Leg shape	30x30 mm	
Footprint diameter	140 cm	
Leveling leg	yes	
Spigot type	Type 1	
Wheels	available	
Air cushioned	available	



## Followspot stand, stable low base stand

/STRONG STAND

### MU003 - FOLLOWSPOT STAND

Version	MU003SB	MU003SCP
Closed length	104 cm	
Minimum height	88 cm	
Maximum height	147 cm	
Maximum load	40 Kg	
Weight	6.7 Kg	
Material	steel	
Finish	black	chrome
Section / riser	2   1	
Section ø	50   40 mm	
Leg shape	ø 30 mm	
Footprint diameter	110	
Leveling leg	yes	
Spigot type	Type 1	
Wheels	available	
Air cushioned	not available	



Heavy-duty steel stand, double riser,  
four versions available

/STRONG STAND  
MU002 - HEAVY DUTY CINE STAND

Version	MU002AB	MU002A	MU002SB	MU002SCP
Closed length	130 cm			
Minimum height	150 cm			
Maximum height	335 cm			
Maximum load	15 Kg		40 Kg	
Weight	5 Kg		8.5 Kg	
Material	aluminium		steel	
Finish	black	silver	black	chrome
Section / riser	3   2			
Section ø	40   35   30 mm			
Leg shape	ø 22 mm			
Footprint diameter	130 cm			
Leveling leg	yes			
Spigot type	Type 1			
Wheels	available			
Air cushioned	available			



## Three section Combo stand, above 4 m

### /STRONG STAND MU220 – TRIPLE RISER COMBO STAND

Version	MU220AB	MU220AB	MU220SCP
Closed length	140 cm		
Minimum height	160 cm		
Maximum height	425 cm		
Maximum load	20 Kg	40 Kg	
Weight	7 Kg	12 Kg	
Material	aluminium	steel	
Finish	black		chrome
Section / riser	4   3		
Section ø	50   45   40   35 mm		
Leg shape	30x30 mm		
Footprint diameter	130 cm		
Leveling leg	yes		
Spigot type	Type 1		
Wheels	available		
Air cushioned	available		



## Two section Combo stand, above 3 m

/STRONG STAND

### MU230 - DOUBLE RISER COMBO STAND

Version	MU230AB	MU230SB	MU230SCP
Closed length	130 cm		
Minimum height	150 cm		
Maximum height	325 cm		
Maximum load	20 Kg	40 Kg	
Weight	6 Kg	11 Kg	
Material	aluminium	steel	
Finish	black		chrome
Section / riser	3   2		
Section ø	50   45   40 mm		
Leg shape	30x30 mm		
Footprint diameter	130 cm		
Leveling leg	yes		
Spigot type	Type 1		
Wheels	available		
Air cushioned	available		



# /C-STAND

Muraro C-Stands are completely built of steel and the leg is welded onto the structure. This makes the Muraro C-Stands one indestructible body compared to the C-Stands of other manufacturers where in order to connect the legs to the structure aluminum components are used which are certainly less resistant.



40" C stand with leveling leg to set it up at any angle and any height even without a flat floor

/C-STAND  
**MU320 - 40" SLIDING LEG C STAND**

Version	MU320
Closed length	130 cm
Minimum height	135 cm
Maximum height	320 cm
Maximum load	10 Kg
Weight	6.2 Kg
Material	steel
Finish	chrome
Section / riser	3   2
Section ø	35   30   25 mm
Leg shape	ø 25 mm
Footprint diameter	95 cm
Leveling leg	yes
Spigot type	Type 6
Wheels	not available
Air cushioned	not available



## 40" C stand, fixed leg, stability without compromise

/C-STAND

**MU321 - 40" FIX LEG C STAND**

Version	MU321
Closed length	130 cm
Minimum height	135 cm
Maximum height	320 cm
Maximum load	10 Kg
Weight	6.2 Kg
Material	steel
Finish	chrome
Section / riser	3   2
Section ø	35   30   25 mm
Leg shape	ø 25 mm
Footprint diameter	95 cm
Leveling leg	no
Spigot type	Type 6
Wheels	not available
Air cushioned	not available



30" C stand with leveling leg to set it up at any angle and any height even without a flat floor

/C-STAND

**MU322 - 30" SLIDING LEG C STAND**

Version	MU322
Closed length	100 cm
Minimum height	100 cm
Maximum height	250 cm
Maximum load	10 Kg
Weight	5 Kg
Material	steel
Finish	chrome
Section / riser	3   2
Section ø	35   30   25 mm
Leg shape	ø 25 mm
Footprint diameter	95 cm
Leveling leg	yes
Spigot type	Type 6
Wheels	not available
Air cushioned	not available



## 30" C stand, fixed leg, Stability without compromise

/C-STAND

### MU323 - 30" FIX LEG C STAND

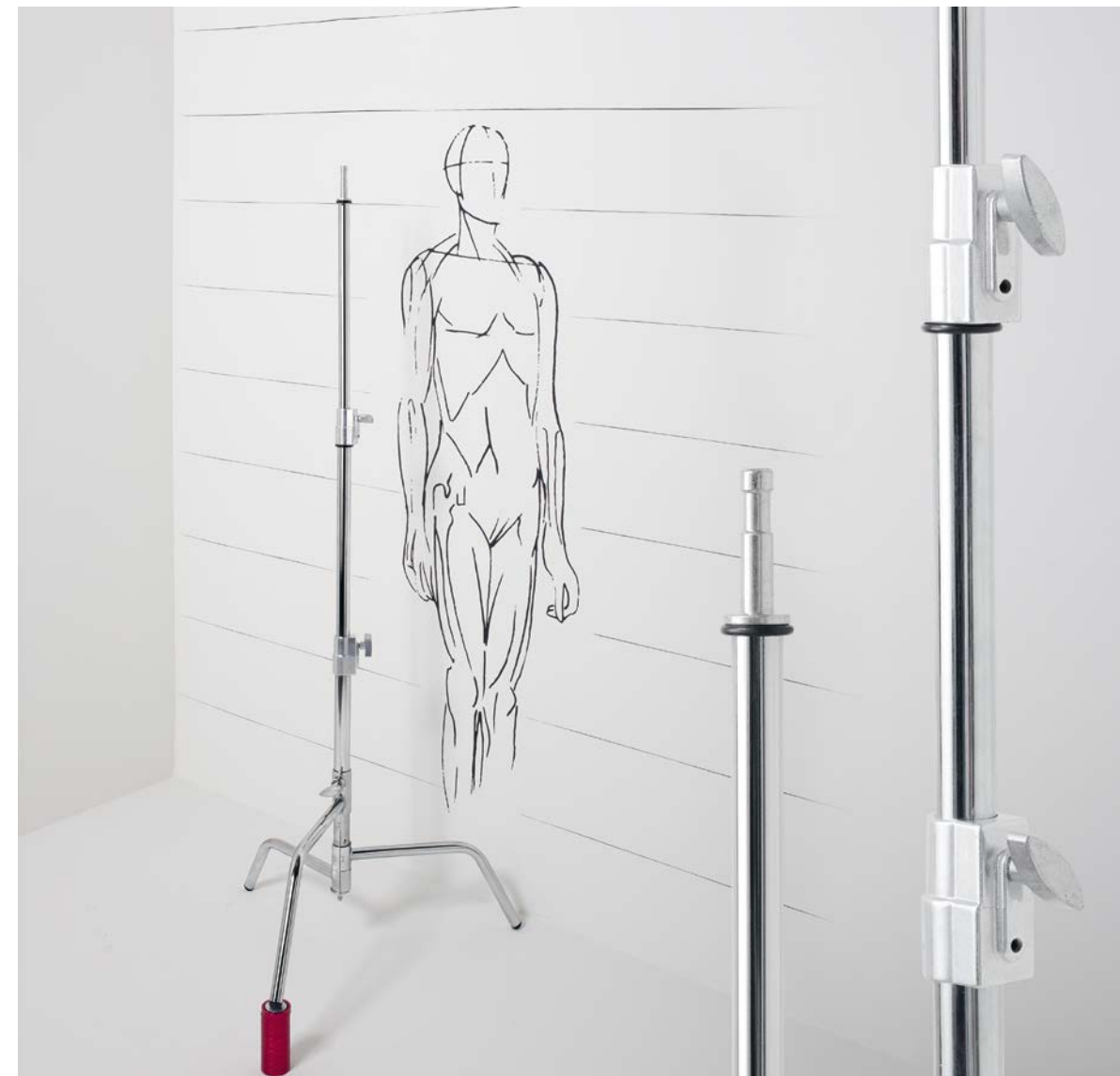
Version	MU323
Closed length	100 cm
Minimum height	100 cm
Maximum height	250 cm
Maximum load	10 Kg
Weight	5 Kg
Material	steel
Finish	chrome
Section / riser	3   2
Section ø	35   30   25 mm
Leg shape	ø 25 mm
Footprint diameter	95 cm
Leveling leg	no
Spigot type	Type 6
Wheels	not available
Air cushioned	not available



20" C stand with leveling leg to set it up at any angle and any height even without a flat floor

/C-STAND  
**MU324 - 20" SLIDING LEG C STAND**

Version	MU324
Closed length	80 cm
Minimum height	80 cm
Maximum height	170 cm
Maximum load	10 Kg
Weight	4,5 Kg
Material	steel
Finish	chrome
Section / riser	3   2
Section ø	35   30   25 mm
Leg shape	ø 25 mm
Footprint diameter	95 cm
Leveling leg	yes
Spigot type	Type 6
Wheels	not available
Air cushioned	not available



## 20" C stand, fixed leg, Stability without compromise

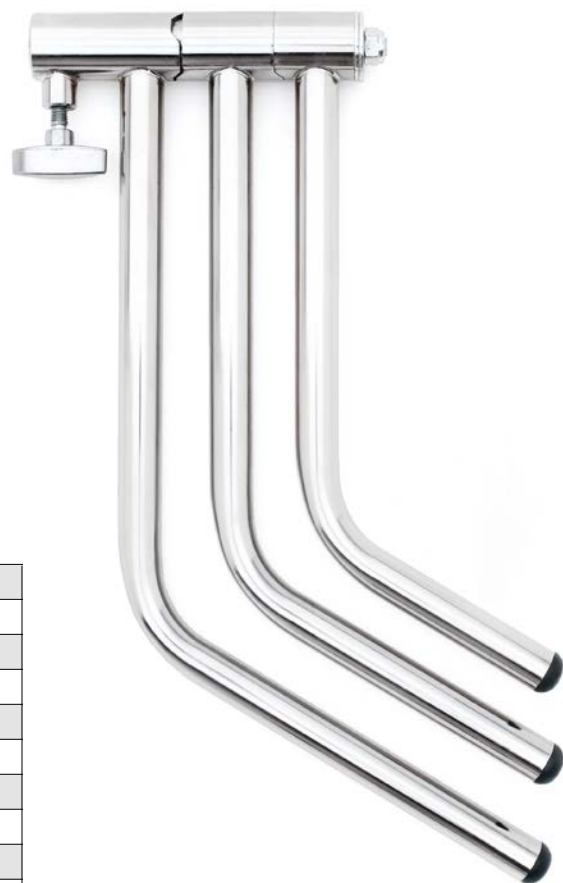
/C-STAND

**MU325 - 20" FIX LEG C STAND**

Version	MU325
Closed length	80 cm
Minimum height	80 cm
Maximum height	170 cm
Maximum load	10 Kg
Weight	4,5 Kg
Material	steel
Finish	chrome
Section / riser	3   2
Section ø	35   30   25 mm
Leg shape	ø 25 mm
Footprint diameter	95 cm
Leveling leg	no
Spigot type	Type 6
Wheels	not available
Air cushioned	not available



Turtle base to be used as a low-to-the-ground junior-pin stand or in combination with Muraro double riser column MU341 MU361



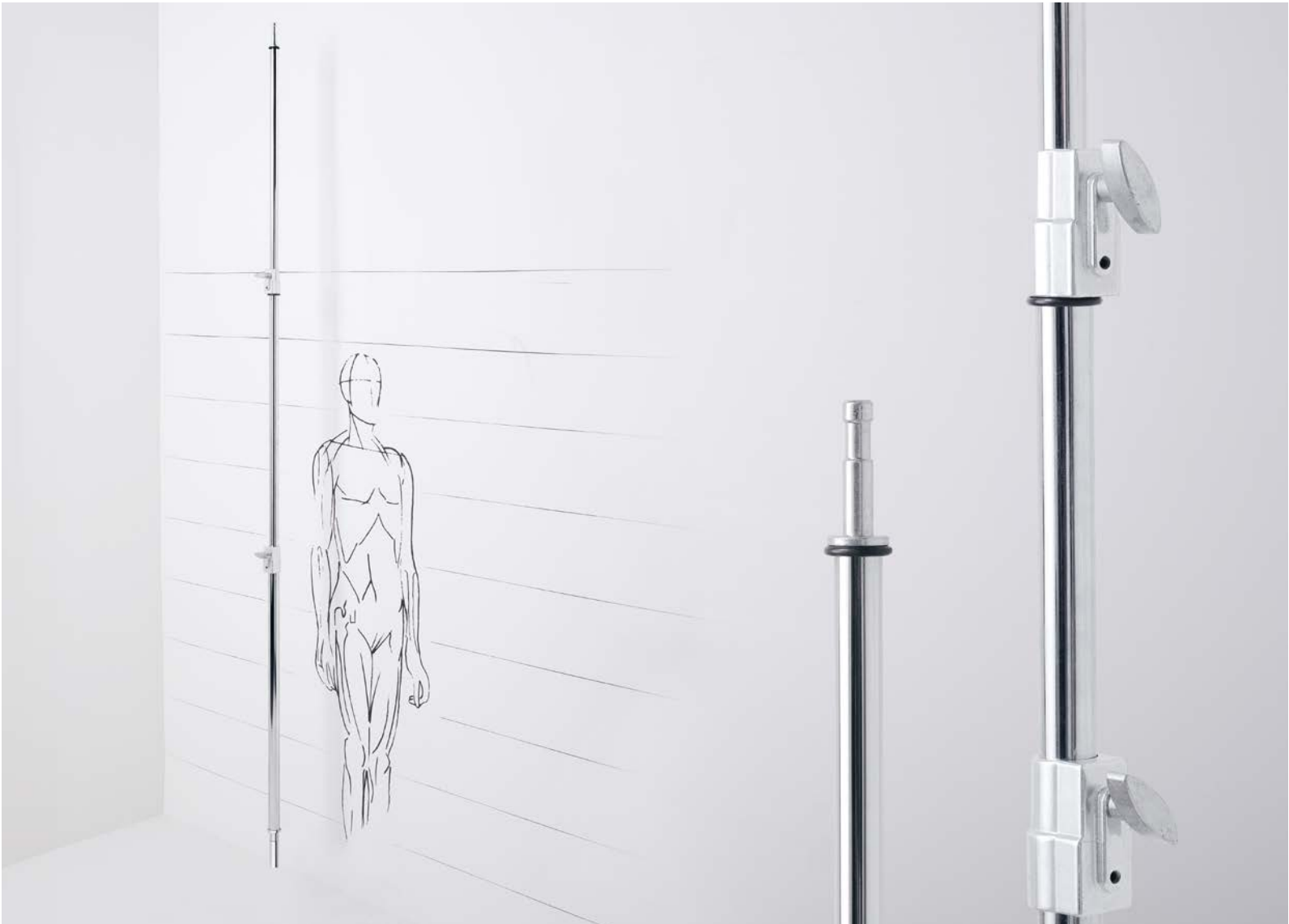
/C-STAND  
**MU340 - TURTLE BASE**

Version	MU340
Closed length	30 cm
Minimum height	30 cm
Maximum height	30 cm
Maximum load	50 Kg
Weight	2.5 Kg
Material	steel
Finish	chrome
Leg shape	ø 25 mm
Footprint diameter	95 cm
Spigot type	28 mm socket

40" double riser column to be used with turtle base MU340

/C-STAND  
**MU341 - 40" DOUBLE RISER COLUMN**

Version	MU341
Closed length	119 cm
Minimum height	119 cm
Maximum height	280 cm
Maximum load	10 Kg
Weight	4.1 Kg
Material	steel
Finish	chrome
Section / riser	3   2
Section ø	35   30   25 mm
Spigot type	Type 6   28mm spigot

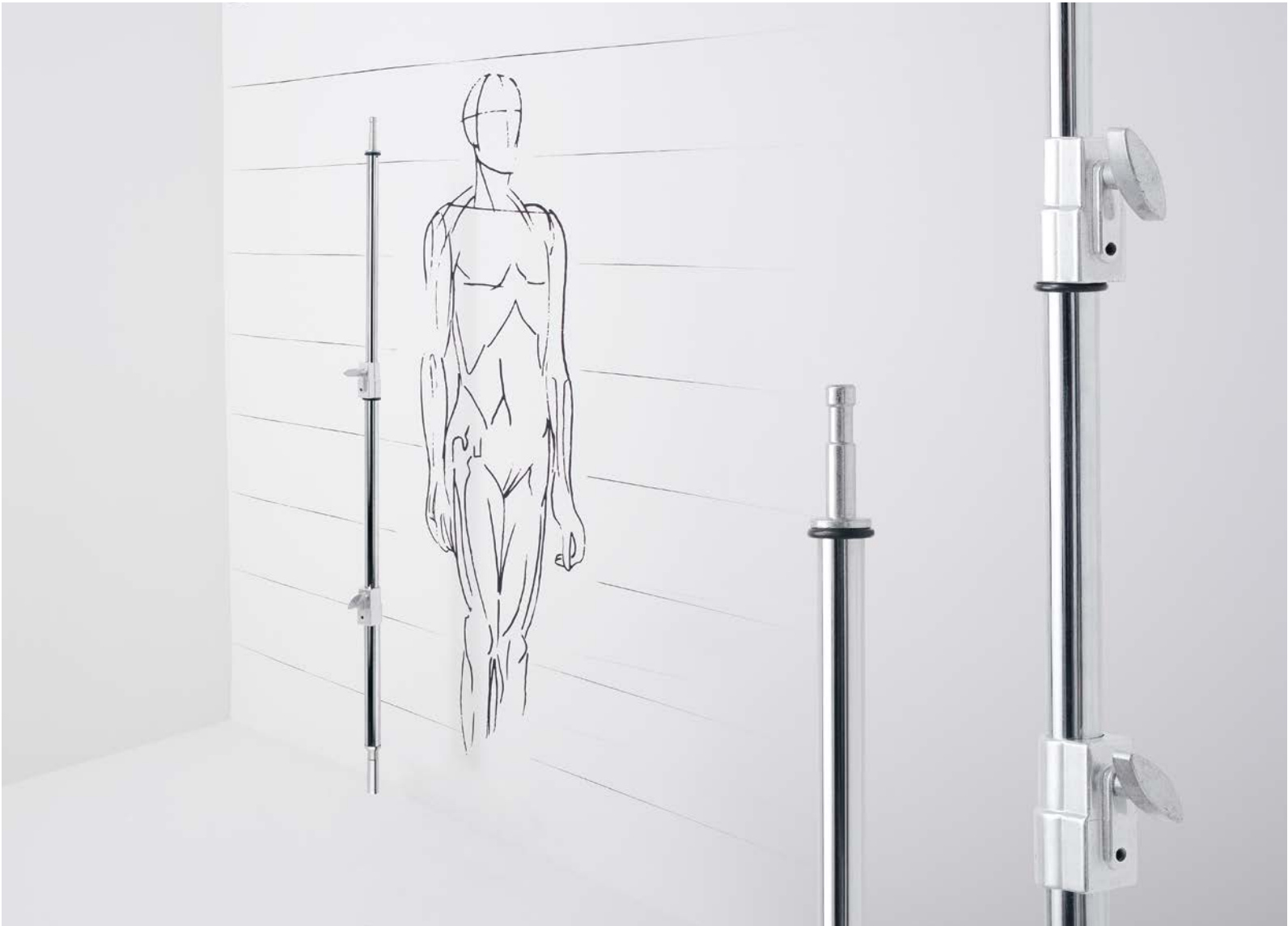


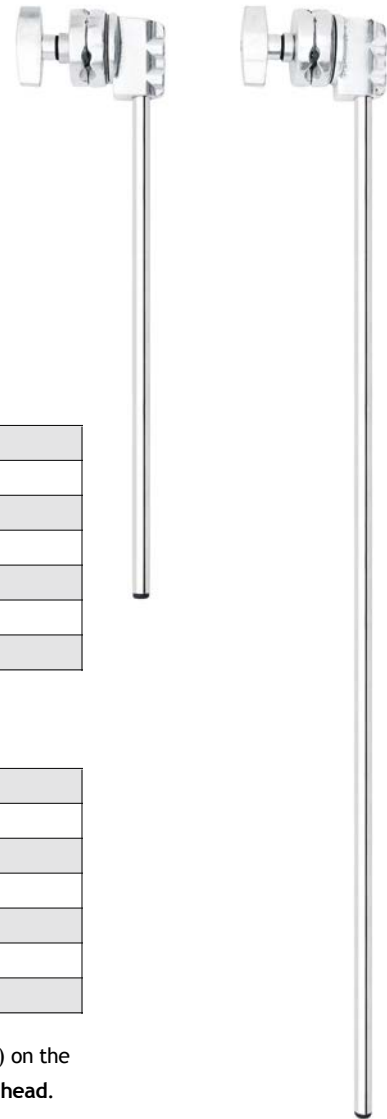


20" double riser column to be used with turtle base MU340

/C-STAND  
**MU361 – 20" DOUBLE RISER COLUMN**

Version	MU361
Closed length	70 cm
Minimum height	70 cm
Maximum height	140 cm
Maximum load	10 Kg
Weight	2.8 Kg
Material	steel
Finish	chrome
Section / riser	3   2
Section ø	35   30   25 mm
Spigot type	Type 6   28mm spigot





/C-STAND

**MU331 – 20’’ EXTENSION GRIP ARM**

Version	MU331SCP	MU331X
Length	510 cm	
Weight	1.3 Kg	
Material	steel	stainless steel
Finish	chrome	stainless steel
Section / riser	1	
Section ø	ø 16 mm	

**MU330 – 40’’ EXTENSION GRIP ARM**

Version	MU330SCP	MU330X
Length	1020 cm	
Weight	1.7 Kg	
Material	steel	stainless steel
Finish	chrome	stainless steel
Section / riser	1	
Section ø	ø 16 mm	

The **MU331** and **MU330** includes the extension arm and **1x MU335 Grip head** (fixed, not removable) on the top. The picture on the right page shows the MU330 in combination with an **additional MU335 Grip head**.



# BOOM /STAND

Stands complete with joint and telescopic arm to position lights from above for natural light effects. The proposed solutions have been studied to ensure a perfect balance between stability and size, making photographer's real demands of practicality and safety a priority.

## Boom stand and arm to get natural lighting

/BOOM STAND

**MUB01** – SMALL BOOM STAND

Version	MUB01SB
Closed length (stand)	110 cm
Minimum height (stand)	120 cm
Maximum height (stand)	170 cm
Weight (stand)	6.7 Kg
Material	steel
Finish	black
Section / riser (stand)	2   1
Section ø (stand)	50   40 mm
Leg shape	30x30 mm
Footprint diameter	110 cm
Leveling leg	no
Maximum length (arm)	225 cm
Minimum length (arm)	115 cm
Weight (arm)	3.5 Kg
Section / riser (arm)	2   1
Section ø (arm)	35   30 mm
Spigot type	Type 4B
Wheels	included
Air cushioned	not available



Large dimension boom stand and arm  
to provide lighting above the subject

/BOOM STAND

**MUB02 – SUPER HEIGHT BOOM STAND**

Version	MUB02SB
Closed length (stand)	130 cm
Minimum height (stand)	150 cm
Maximum height (stand)	250 cm
Weight (stand)	9 Kg
Material	steel
Finish	black
Section / riser (stand)	2   1
Section ø (stand)	50   45 mm
Leg shape	30x30 mm
Footprint diameter	110 cm
Leveling leg	no
Maximum length (arm)	280 cm
Minimum length (arm)	150 cm
Weight (arm)	5 Kg
Section / riser (arm)	2   1
Section ø (arm)	35   30 mm
Spigot type	Type 4B
Wheels	included
Air cushioned	included



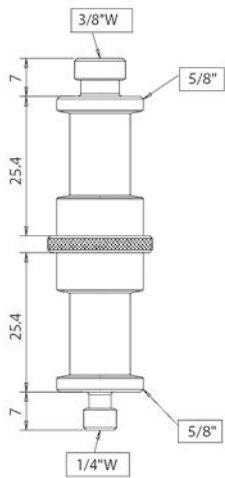
# /ACCESSORIES AND CLAMP

In the Accessories category there are: adapters (numerous types of connectors and spigots for every requirement), joints (different models and finishings for section tubes from 12 mm to 35 mm), alternative supports (ideal for still life), extensions and accessories for room installation.

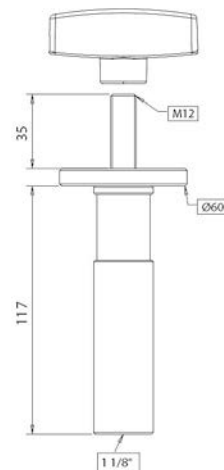
The MU021 Clamp for loads up to 15 kg and sections from 13 to 55 mm, the Muralini Clamp can go up to loads of up to 30 kg and manage sections of 13 mm to 100 mm. MU047 and MU077-01 complete the offer.

/ADAPTERS

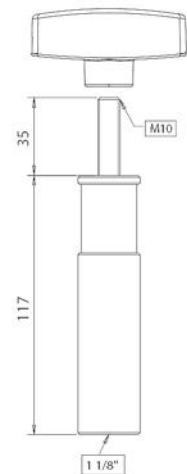
MU060 - DOUBLE 5/8" ADAPTER WITH 1/4" AND 3/8" THREAD



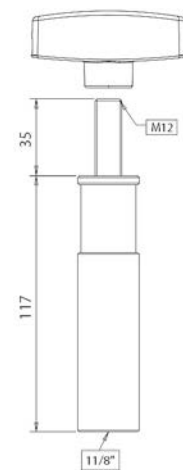
MU06301 - 1 1/8" STUD WITH PLATE M12 THREAD



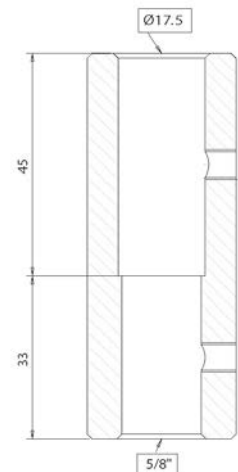
MU064 - 1 1/8" STUD M10 THREAD



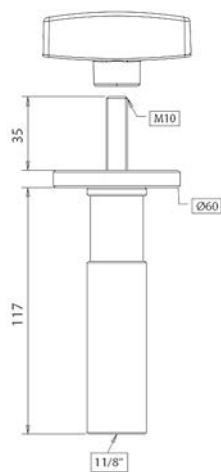
MU06401 - 1 1/8" STUD M12 THREAD



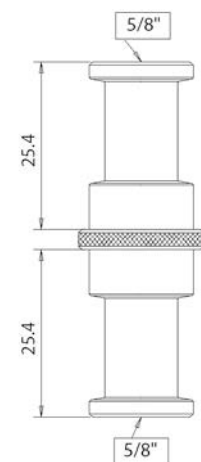
MU061 - 5/8"-17,5 MM ADAPTER



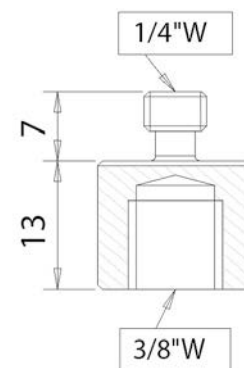
MU063 - 1 1/8" STUD WITH PLATE M10 THREAD



MU06001 - DOUBLE 5/8" ADAPTER



MU024 - 3/8" TO 1/4" THREAD ADAPTER

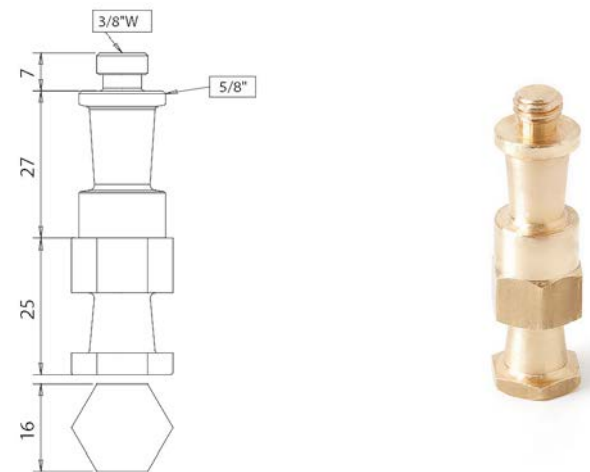


/ADAPTERS

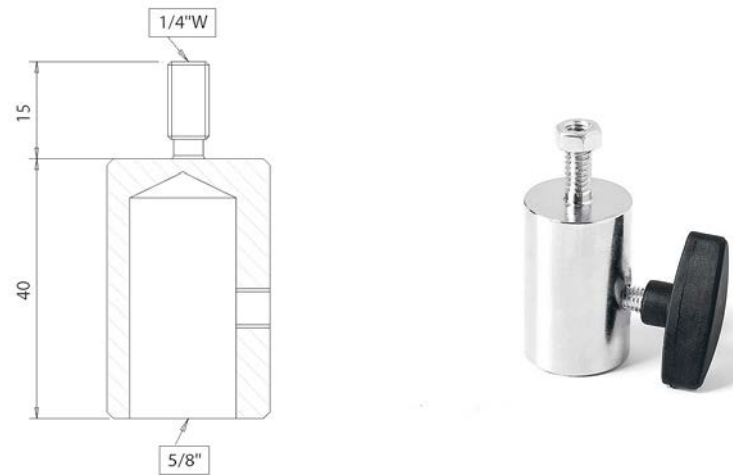
MU06002 - 5/8" STUD WITH M10



MU0603 - 5/8" STUD WITH 16MM HEXAGONAL SOCKET



MU06202 - 5/8" - 1/4" RAPID ADAPTER



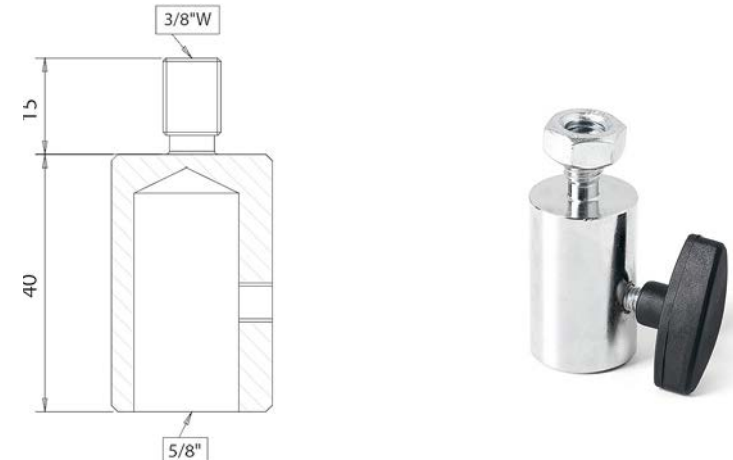
MU06402 - 1 1/8" STUD FEMALE M10 THREAD



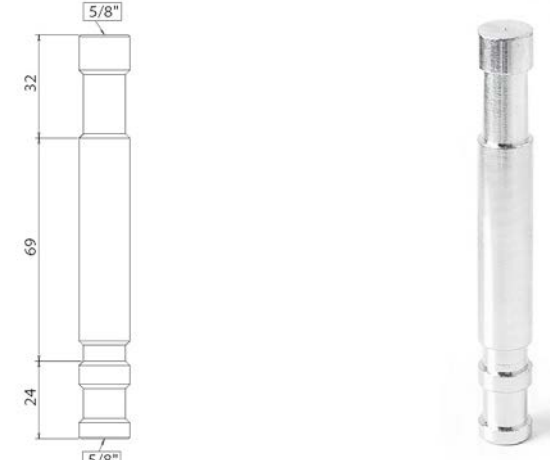
MU062 - 5/8" - M10 RAPID ADAPTER



MU06201 - 5/8" - 3/8" RAPID ADAPTER

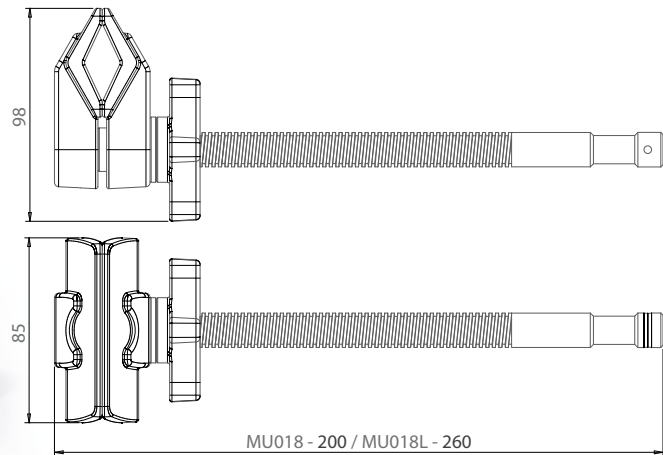
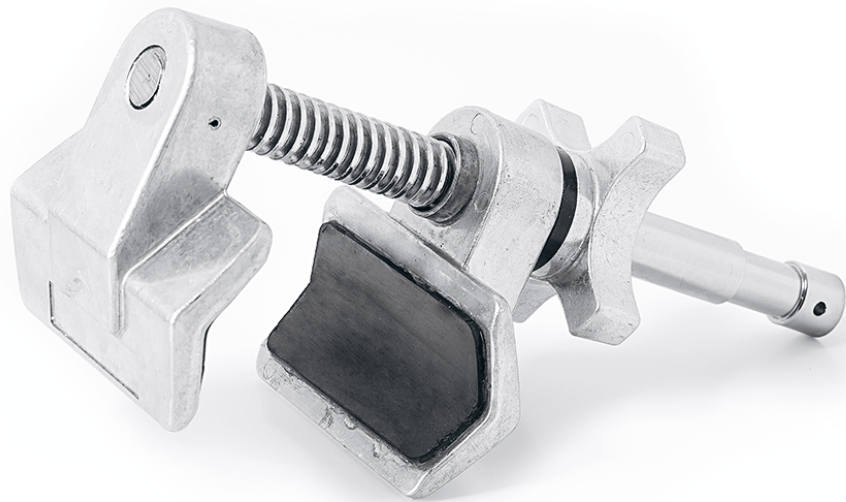


MU065 - DOUBLE 5/8" SPIGOT





/CLAMP  
**MU018 – MURALINI CLAMP**

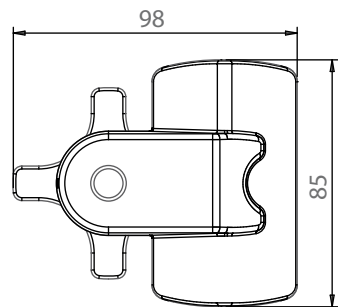


MU018

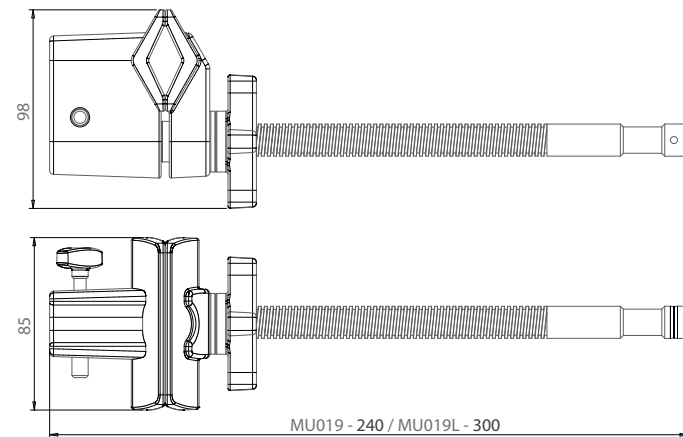
MU018L

**Length:** 180 mm  
**Weight:** 0.6 Kg

**Length:** 240 mm  
**Weight:** 0.7 Kg



/CLAMP  
**MU019 – MURALINI CLAMP HEX SOCKET**

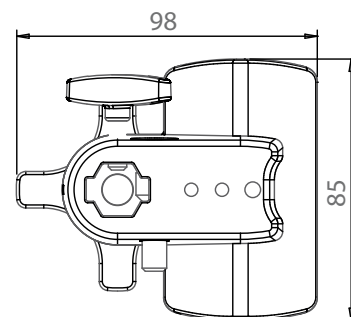


MU019

MU019L

**Length:** 180 mm  
**Weight:** 0.8 Kg

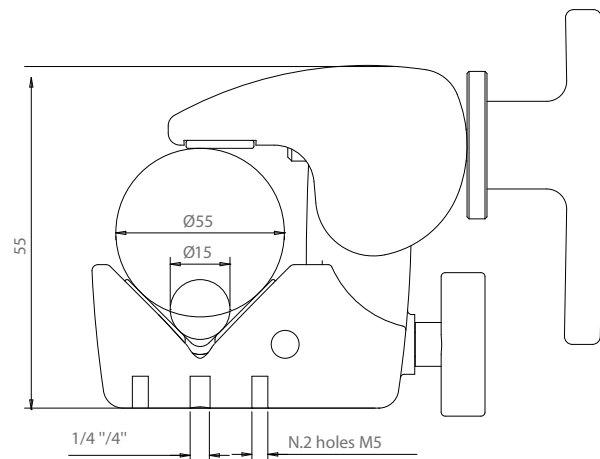
**Length:** 240 mm  
**Weight:** 0.9 Kg



/CLAMP

**MU021 – MURARO CLAMP**

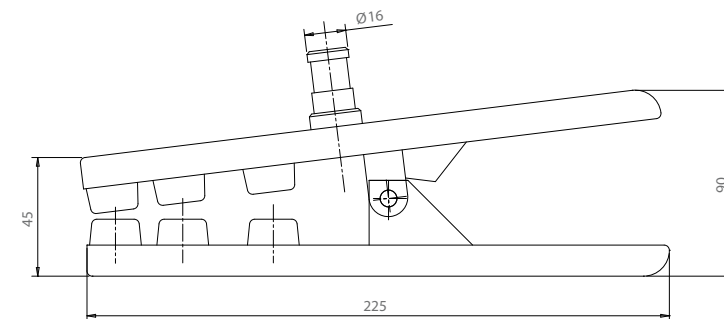
**Weight:** 0,5 Kg



/CLAMP

**MU047 – SOFT CLAMP 16MM SPIGOT**

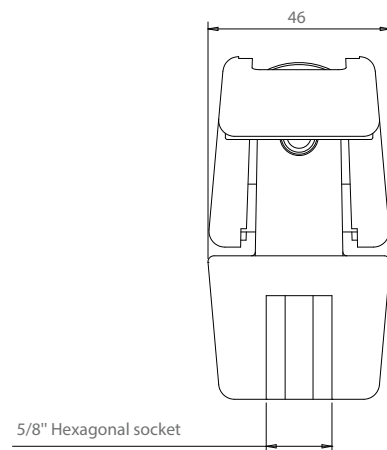
**Weight:** 0,25 Kg



/CLAMP

**MU022 – MURARO DOUBLE CLAMP**

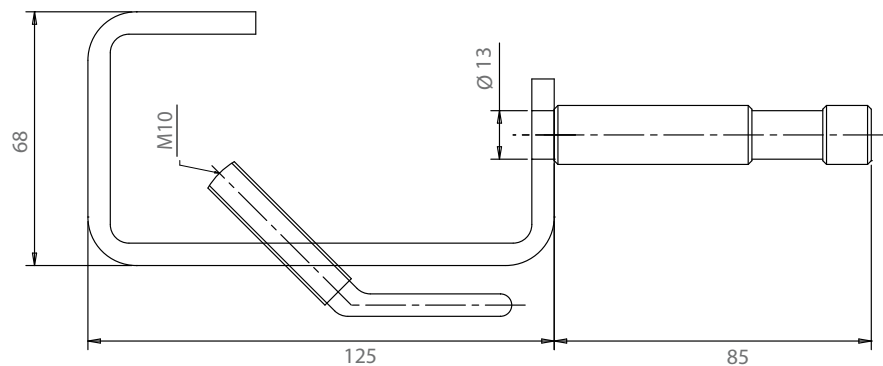
**Weight:** 1Kg



/CLAMP

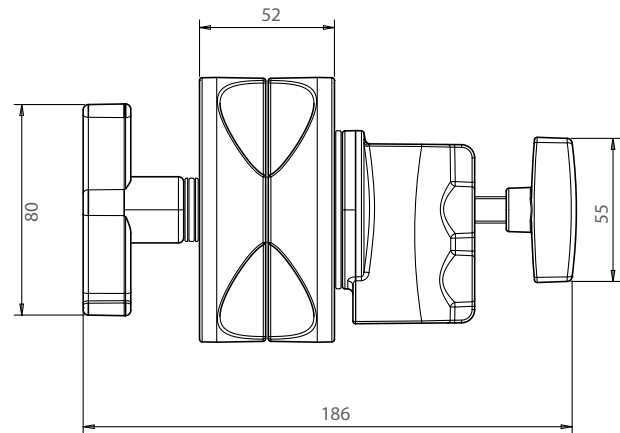
**MU077-01 – STAGE CLAMP WITH 16MM STUD**

**Weight:** 0,5 Kg



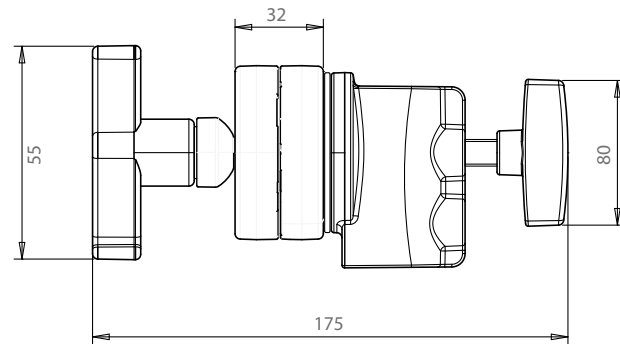
/CLAMP  
**MU035 - PIVOTING 16/35**

Weight: 0,5 Kg



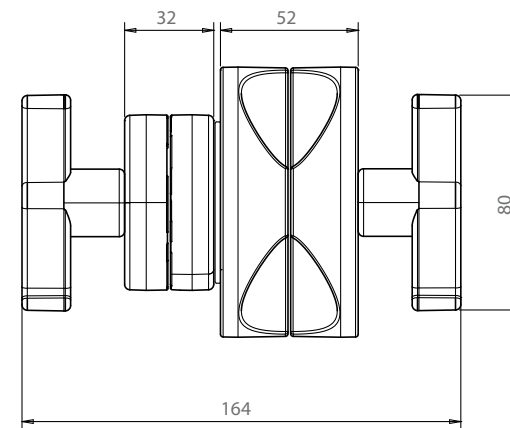
/CLAMP  
**MU335 - GRIP HEAD**

Weight: 0,5 Kg



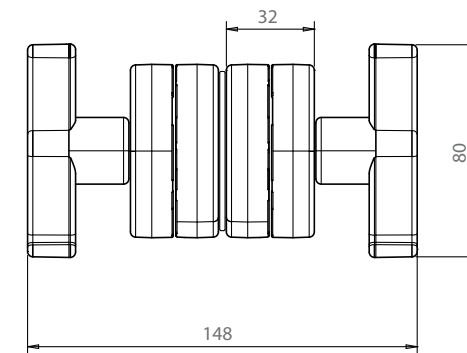
/CLAMP  
**MU335-01 - GAG 16/35**

Weight: 0,5 Kg



/CLAMP  
**MU335-02 - GAG 16/16**

Weight: 0,5 Kg



/ ALTERNATIVE SUPPORTS  
MU092 – EASY WEIGHT SUPPORT



/ ALTERNATIVE SUPPORTS  
MU091 – STRONG FLEXIBLE ARM



/ ALTERNATIVE SUPPORTS  
MU074 – JOINTED TABLE SUPPORT



/ EXTENSIONS

**MU067-68-69 – STAND EXTENSION**

Version	MU067	MU068	MU069
Length	25 cm	50 cm	100 cm
Weight	1.7 Kg	2 Kg	2.6 Kg
Material	steel		
Finish	chrome		
Section / riser	1   1		
Section ø	40 mm		
Spigot type	Type 1		



/ STUDIO ACCESSORIES

**MU070 – OPERATION POLE**

/ BACKLIGHT

**MU033 – BACKLITE BASE**

Version	MU033
Maximum height	9 cm
Maximum load	16 Kg
Weight	0.8 Kg
Material	steel
Finish	black
Footprint diameter	62 cm
Spigot type	Type 8

The Backlite base **MU033** is supplied on request in combination with telescopic pole in aluminium (height 55/116) in the kit **MU033-01** (as shown on the picture on the right)



Designed to support rolls of background paper

/BACKGROUND KIT  
**MU031-01 - BACKGROUND KIT**

Version	MU031	MU031 - 01
Maximum height	250 cm	280 cm
Maximum width	300 cm	
Weight	3.6 Kg	6.6 Kg
Material	aluminium	
Finish	black	
Spigot type	Type 2	Type 4
Stand	2xMU007	2xMU005

**MU029 - TELESCOPIC POLE**

Version	MU029AB
Closed length	117 cm
Maximum height	302 cm
Maximum load	5 Kg
Weight	1 Kg
Material	aluminium
Finish	black
Section / riser	3   2
Section ø	30   25.4   22 mm
Spigot type	Type 4B

The Kit includes 2 stands (MU005AB or MU007AB), 1x MU029AB and a carrying bag



Floor to ceiling: Muraro autopole is the right answer

/AUTOPOLE

**MU096** - MURARO AUTOPOLE

Version	MU096 - 1.8	MU096 - 2.8	MU096 - 3.8
Closed length	95 cm	145 cm	215 cm
Maximum height	180 cm	280 cm	380 cm
Material	steel		
Finish	chrome		
Section / riser	2   1		
Section ø	ø 50   45 mm		



*Din 15560 reports that the maximum load on a non windup stand is 18 Kg.  
Muraro has put all his effort to describe products correctly; however descriptions dimensions and weight are for identification purposes only and Muraro recommends the all products have to be used by qualified persons.*



**Sede legale**

Via Giardini 26  
36057 Arcugnano (VI)  
ITALIA

**Sede operativa**

Via dell'Artigianato 24  
36023 Costozza di Longare (VI)  
ITALIA

[info@murarolightstand.com](mailto:info@murarolightstand.com)

[murarolightstand.com](http://murarolightstand.com)

Telefono: +39.0444.95.39.25

Fax: +39.0444.95.61.00



